

**LD Housings**



**LAB Housings**

## **LiqTech LD and LAB Housings**









Membrane housings to suit a wide range of requirements with regards to medium composition, operation conditions and capacity. Housing components can be supplied separately for customer assembly. The housings are available pre-assembled with membranes and tested for tightness at LiqTech. Instrumentation, clamps, couplings and screw-in valves are not included.

Available gasket material: EPDM and FKM.

# LIQTECH

## Standard housing material

The housings are available in Stainless Steel EN 1.4404 (AISI 316L).

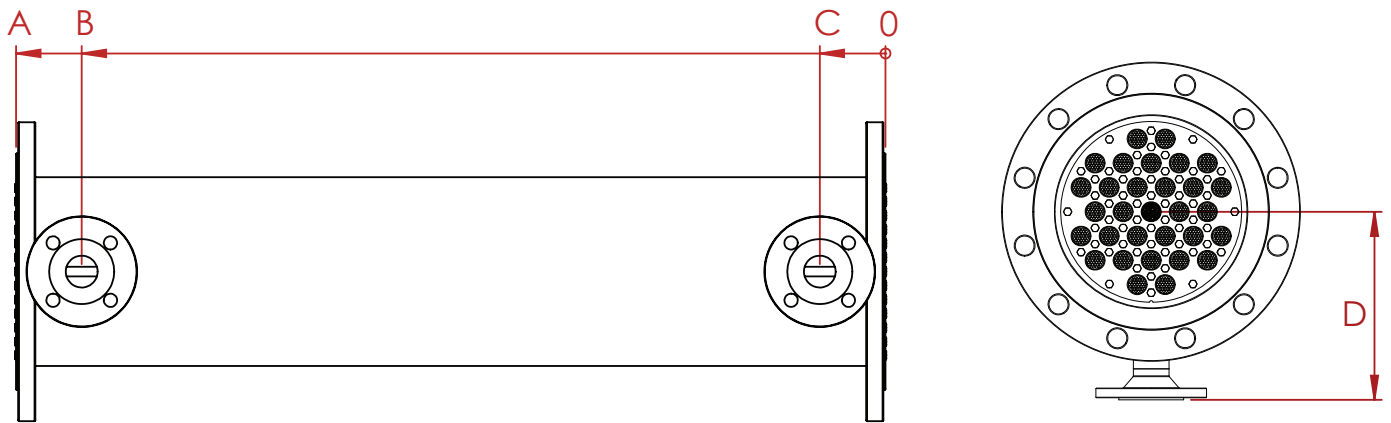
	
<p>LD-7</p>	<p>LAB-1-305</p>
	
<p>LD-13</p>	<p>LAB-1-1178</p>
	
<p>LD-31</p>	<p>LAB-7-1178</p>
	
<p>LD-67</p>	<p>LAB-13-1178</p>
	
<p>LD-99</p>	
	
<p>LD-137</p>	

## Connections LD Housings

Flanges for:

	Permeate	Feed
LD-7	DN25, PN16	DN125, PN16
LD-13	DN32, PN16	DN200, PN16
LD-31	DN40, PN16	DN250, PN16
LD-67	DN50, PN16	DN350, PN16
LD-99	DN65, PN16	DN400, PN10
LD-137	DN80, PN16	DN500, PN10

## Measurements mm



	A	B	C	D
LD-7	1178	1089	89	165
LD-13	1178	1089	89	215
LD-31	1178	1089	89	255
LD-67	1178	1089	89	320
LD-99	1178	1089	89	340
LD-137	1178	1079	99	400

## CONTACT US

Contact Liqtech for more information on how we can help you with your clean water needs.

LAB housings use triclamp for connection

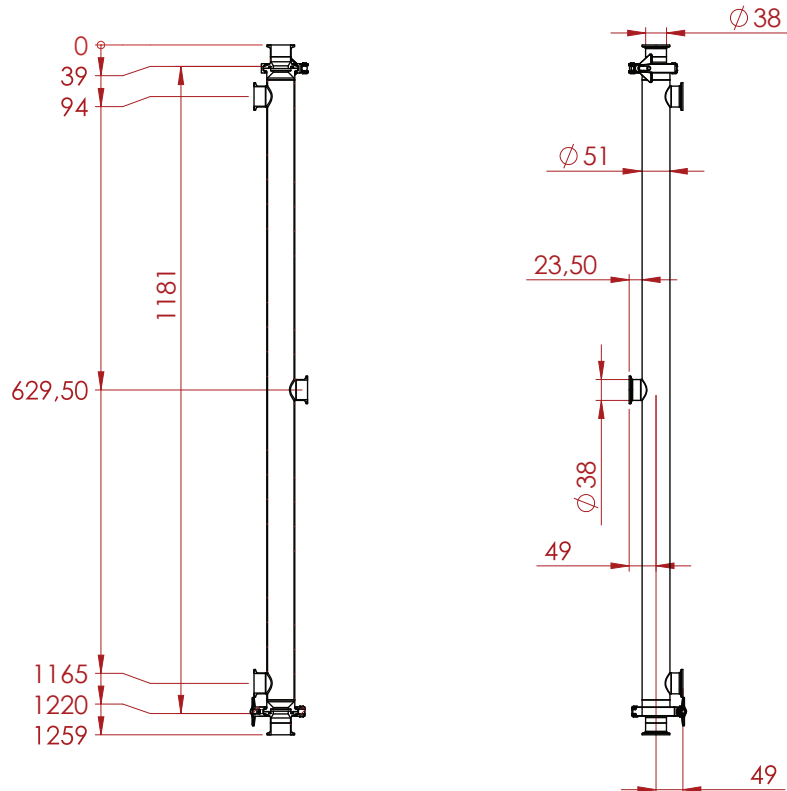


## Versions

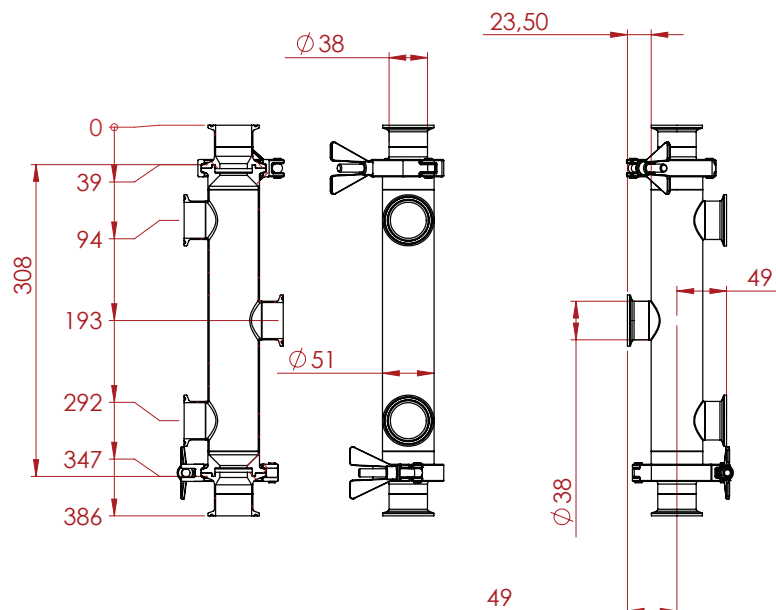
Lab-1 - for 25x1178 mm membrane	Lab-7 - for 7 25x1178 mm membranes
Lab-1 - for 25x305 mm membrane	Lab-13 - for 13 25x1178 mm membranes

## Measurements mm

Lab-1 - for 25x1178 mm membrane

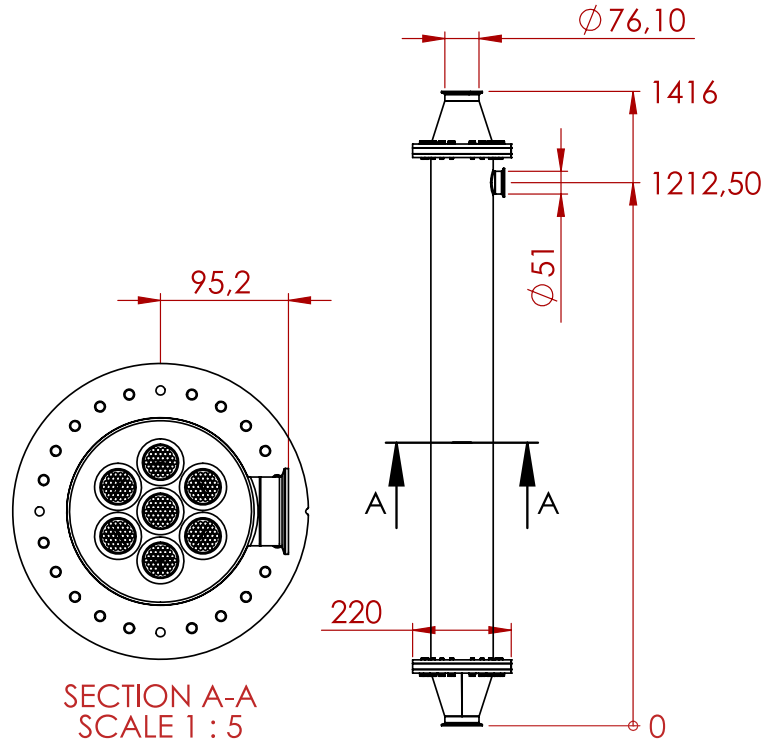


Lab-1 - for 25x305 mm membrane

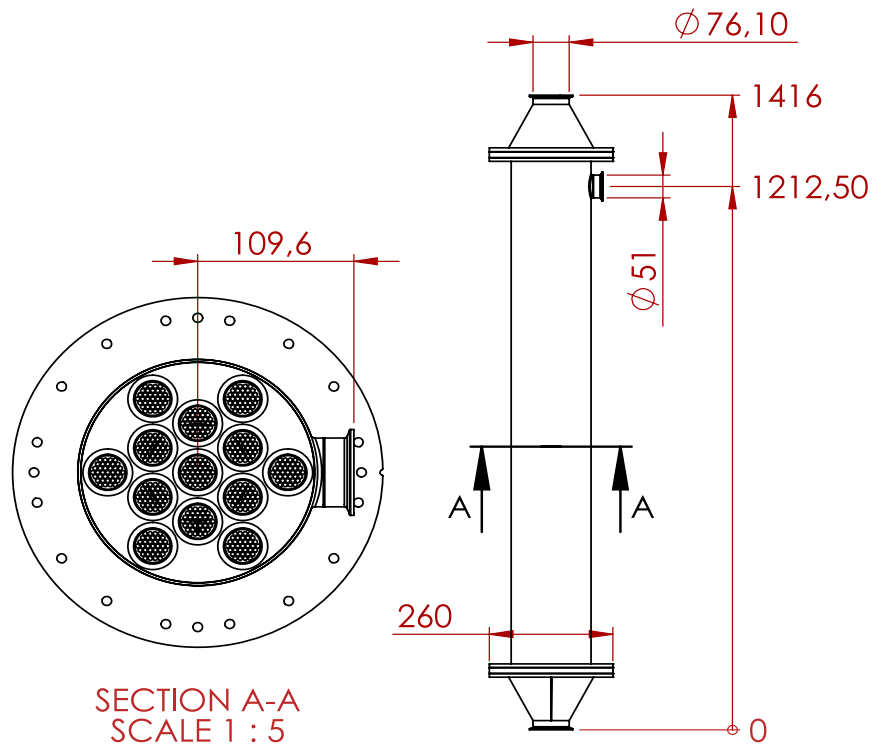


## Measurements mm

Lab-7 - for 25x1178 mm membranes



Lab-13 - for 25x1178 mm membranes



## Weight and packaged dimensions

	With membranes kg (lbs)	Without mem- branes kg (lbs)	Drawing number	Packaged measurements (1 Housing) LxWxH	Weight of packaging (1 housing)
LiqTech LD- 7	35 (77)	28 (62)	20394	130x38x50 cm.	19 kg (42 lbs)
LiqTech LD-13	55 (121)	42 (92)	20385	130x47x59 cm.	29 kg (64 lbs)
LiqTech LD-31	100 (220)	69 (152)	20221	130x53x67 cm.	32 kg (70 lbs)
LiqTech LD-67	175 (385)	108 (238)	20159	130x65x79 cm.	40 kg (88 lbs)
LiqTech LD-99	215 (474)	116 (255)	20210	130x70x83 cm.	42 kg (92 lbs)
LiqTech LD-137	300 (661)	163 (360)	20402	130x80x94 cm.	47 kg (104 lbs)
LiqTech Lab-1	5 (11)	4 (9)	15216	138x23x23 cm.	11 kg (24 lbs)
LiqTech Lab-1 (305)	3 (6)	2 (4)	15335	42x23x23 cm.	6 kg (13 lbs)
LiqTech Lab-7	35 (77)	28 (62)	20091	153x33x41 cm.	19 kg (42 lbs)
LiqTech Lab-13	45 (99)	32 (70)	19816	153x38x46 cm.	20 kg (44 lbs)

## Notes